



# HEADSTONE REQUIREMENTS

Headstones that do not meet guidelines, as well as all benches, pictures, medallions, or non-approved materials, require written approval by the Cemetery Sexton.

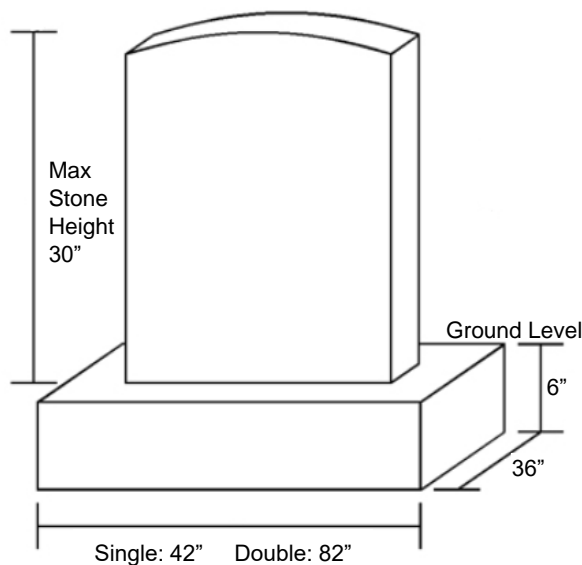
- All cement borders are 8" wide and 6" deep minimum, unless stated otherwise.
- Flush markers are flush with the ground. All other markers are upright (ie. slant or wedge).
- Flush markers longer than 64" including the border *require* a waiver of release.
- All markers with holes in the concrete border must have cups/vases.
- Absolutely no on-site pouring of headstones.

## UPRIGHT MONUMENT MAXIMUM SIZE

Single: 42"L x 36"W x 30"H

Double: 82"L x 36"W x 30"H

**Maintenance & Inspection Fee: \$200.00**

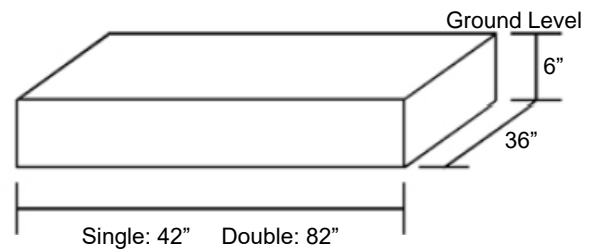


## FLUSH MARKER MAXIMUM SIZE

Single: 42"L x 36"W

Double: 82"L x 36"W

**Maintenance & Inspection Fee: \$100.00**



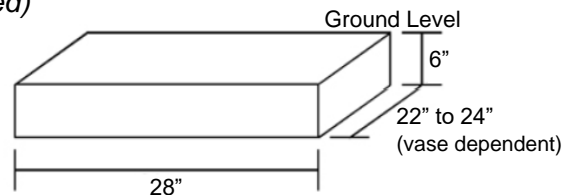
## INFANT, CREMATION or SECONDARY MONUMENT MAXIMUM SIZE

28"L x 22"W/24"W (*flush required – no upright allowed*)

Border with vase: 8" top (for vase), 6" sides & bottom

Border without vase: 6" top, sides & bottom

**Maintenance & Inspection Fee: \$100.00**



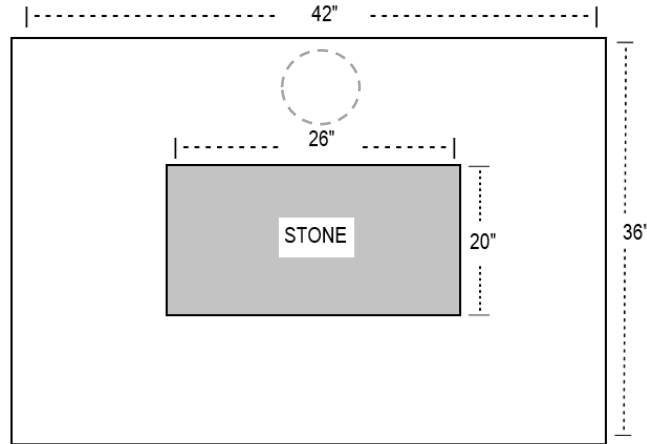
**See back for base dimensions**



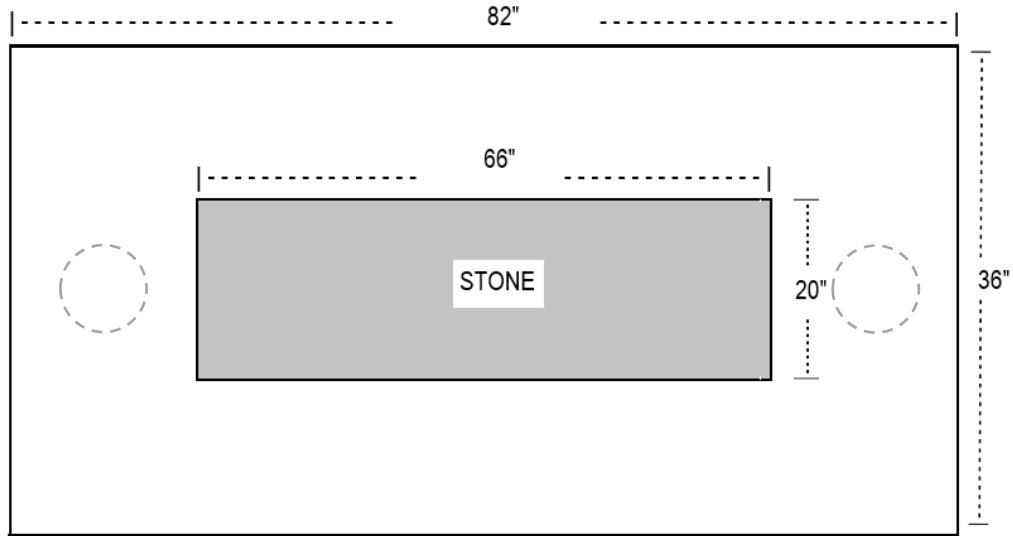
# HEADSTONE REQUIREMENTS

*Base Dimensions are the same for both flush and upright stones*

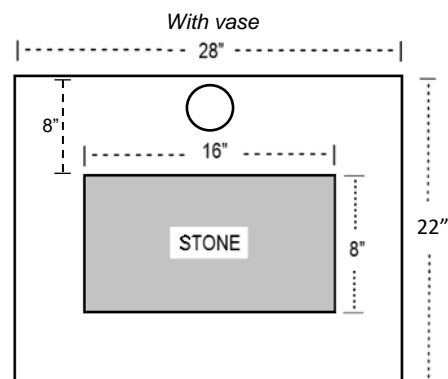
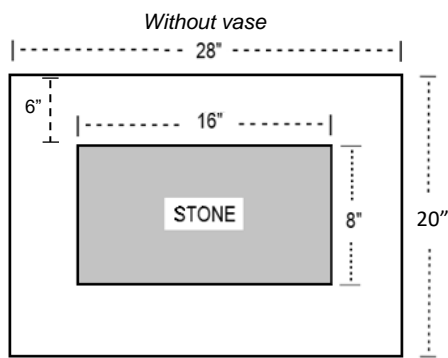
## Base Dimensions - Single



## Base Dimensions - Double



## Base Dimensions – Infant, Cremation, and Secondary



Vase cups must be placed within the 8" border